

# MAGFORMERS<sup>®</sup>

Intelligent Magnetic Construction Set For Brain Development

**TRANSFORM SET**

## MAGFORMERS MODEL BOOKLET

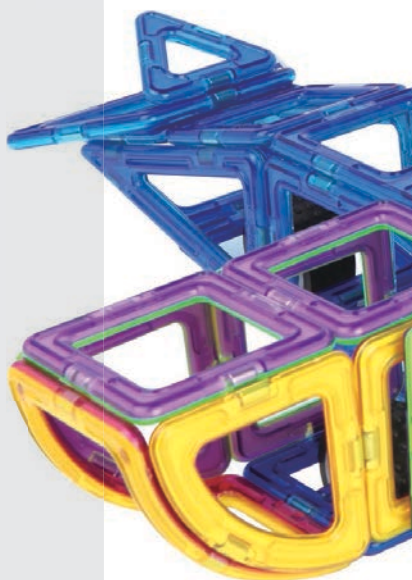
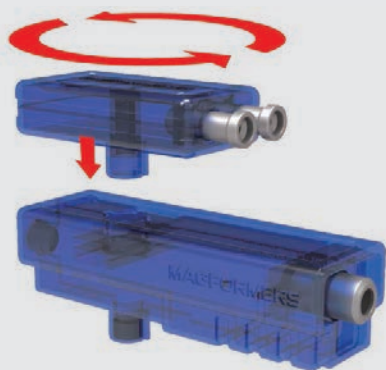
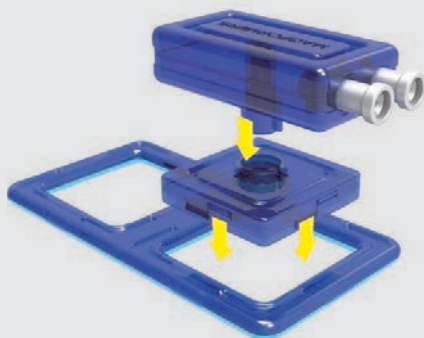


MAGFORMERS LLC

TRANSFORM  
SET

VEHICLE  
SET  
LINE

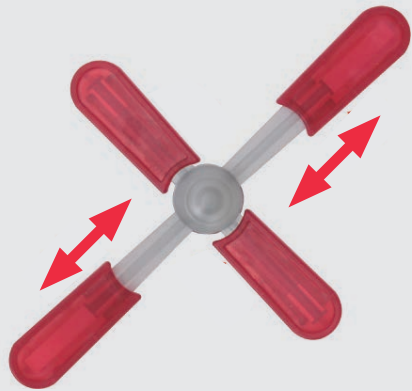
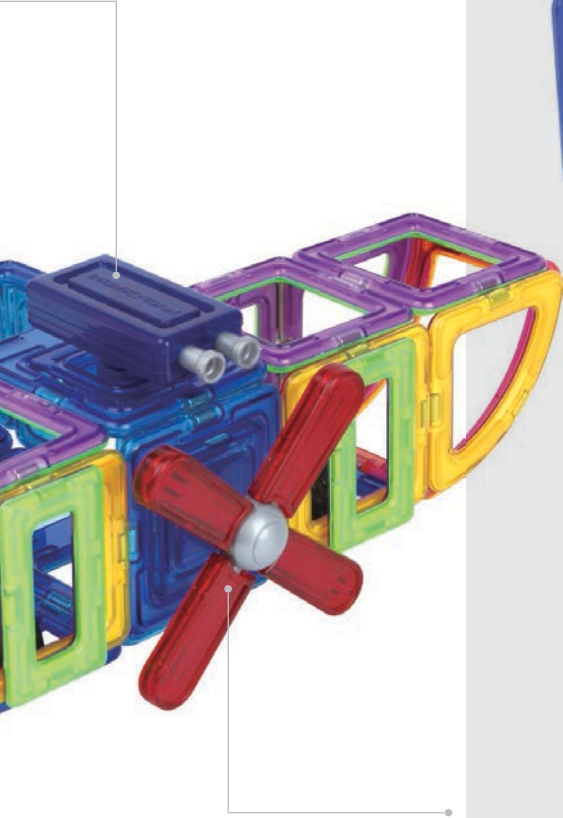
01



02

 GUN

 PROPELLER



**TRANSFORM  
SET**

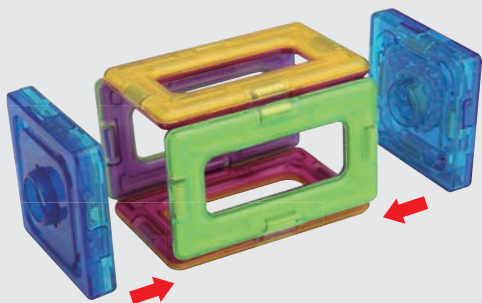
**VEHICLE  
SET  
LINE**



**HOW TO USE ACCESSORIES**

 **MINI RECTANGLE**

 **ROTATING BLOCK**

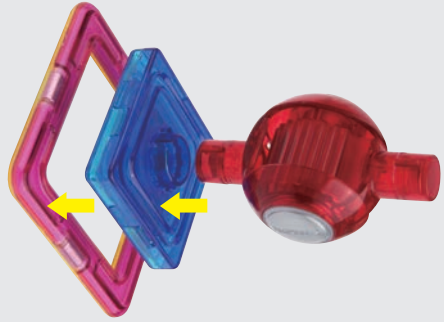




ROTATING BLOCK



JOINT



**TRANSFORM  
SET**

**VEHICLE  
SET  
LINE**

**DISCOVER A WORLD OF  
LIMITLESS IMAGINATION,  
CREATIVITY AND LEARNING!**

MAGFORMERS construction sets foster brain development through fun and educational exploration. With high quality, durable construction and intelligent magnetic design, the possibilities are endless!







US Patent No. 7,154,363,B2

©2014. The Magformers INC. All rights reserved.  
MAGFORMERS® has been a registered trademark of Gymworld co., Ltd., Magformers Inc. and the president of the corporation since 2009. When quoting MAGFORMERS®, the trademark of Gymworld co., Ltd., Magformers Inc. and the president of the corporation must be declared.



## THE MAGFORMERS INC.

2-4F, 210, Dosan-daero, Gangnam-gu,  
Seoul, Korea  
Tel : 82-2-6714-2224  
Fax : 82-2-6714-2298  
[www.magformersworld.com](http://www.magformersworld.com)  
E-Mail : [info@magformersworld.com](mailto:info@magformersworld.com)

This book is a work protected by copyright, thus, any unauthorized copying or reproduction of content is strictly prohibited. In order to use any or all content, you must receive the consent of Gymworld co., Ltd., Magformers Inc. and the president of the corporation, the copyright holder and owner of its publication rights.

